

# Remote Control / Relay Instructions

## ~ Remote 12v Control ~

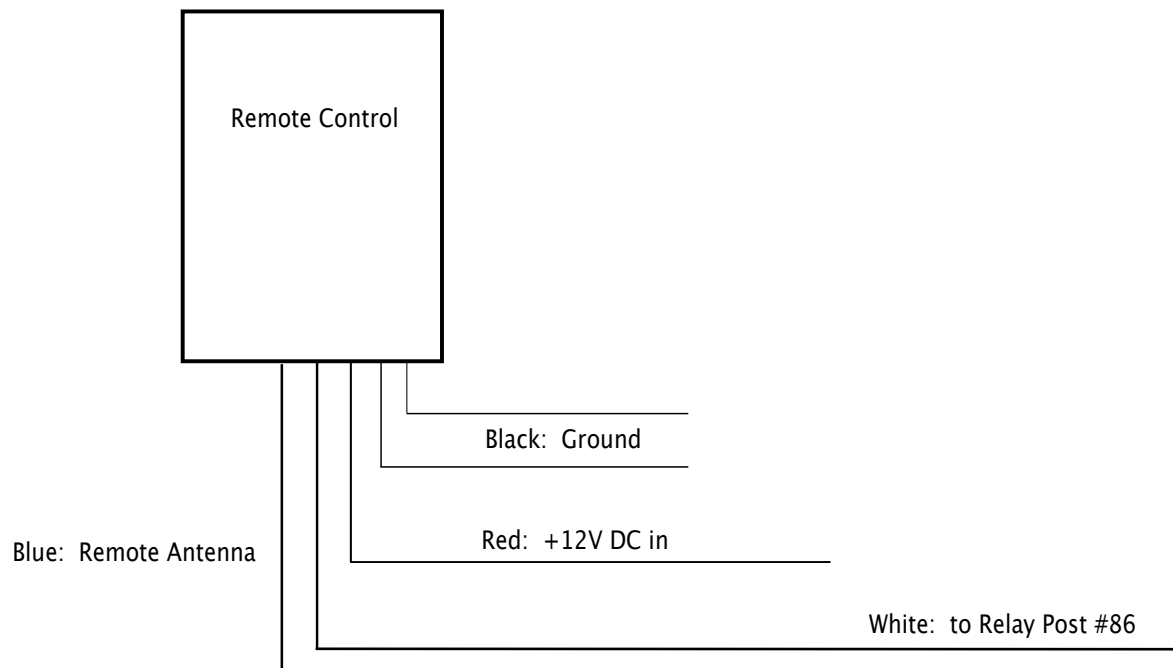
This wireless remote control is to switch ON and OFF the DC12 volt relay.

Handset Battery: 12v Alkaline Battery. Type VR22/CN22/CN23A or equivalent.

Receiver Input Voltage: DC 12 volt. Output Voltage: DC 12 volt

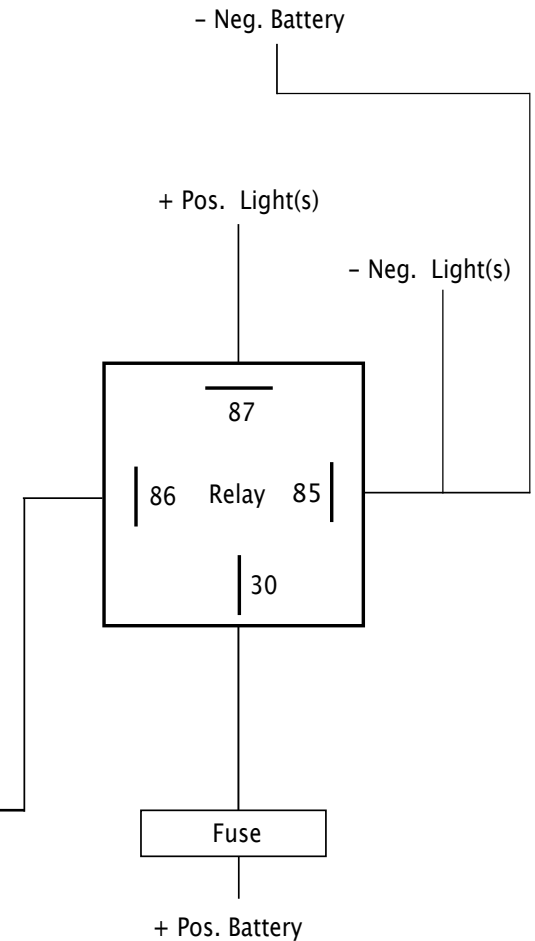
Output Current: Max. 15 Amps.

Operation: Wireless RF



## ~ Relay Diagram ~

**Caution:** Use appropriate gauge wire & fuse depending upon wire run.



### NOTICE:

- Mount in well ventilated and dry location.
- All wiring must be carried out by a suitably trained/qualified electrician.
- Relays are used to switch a lower resistance path for the power to the lights for longer wire runs.